

FITTING KIT

- A 70mm FRAME LOOPS x 2
- B 100mm FRAME LOOPS x 2
- C DESERT-X ALLOY MOUNTS x 2
- D 60mm M8 BOLTS x 2
- E OS-BASE x 1



TOOLS REQUIRED

- T40 Hex Key
- Thread Lock

BEFORE YOU CAN FIT THE OS-BASE TO THE BIKE YOU WILL NEED TO INSTALL THE MOUNTING HARDWARE.

Remove the small plastic thread covers from the frame mounts and replace with the Desert-X Alloy Mounts using the 2 x 60mm M8 bolts provided.

We recommend applying thread lock to these bolts.

ALLOW THE THREAD LOCK TO CURE BEFORE USE (24hrs)



To mount a single tail pack or 3 pack set-up requires fitting of the FRAME LOOPS. This is optional and not required to fit the OS-BASE (see back page for more details)



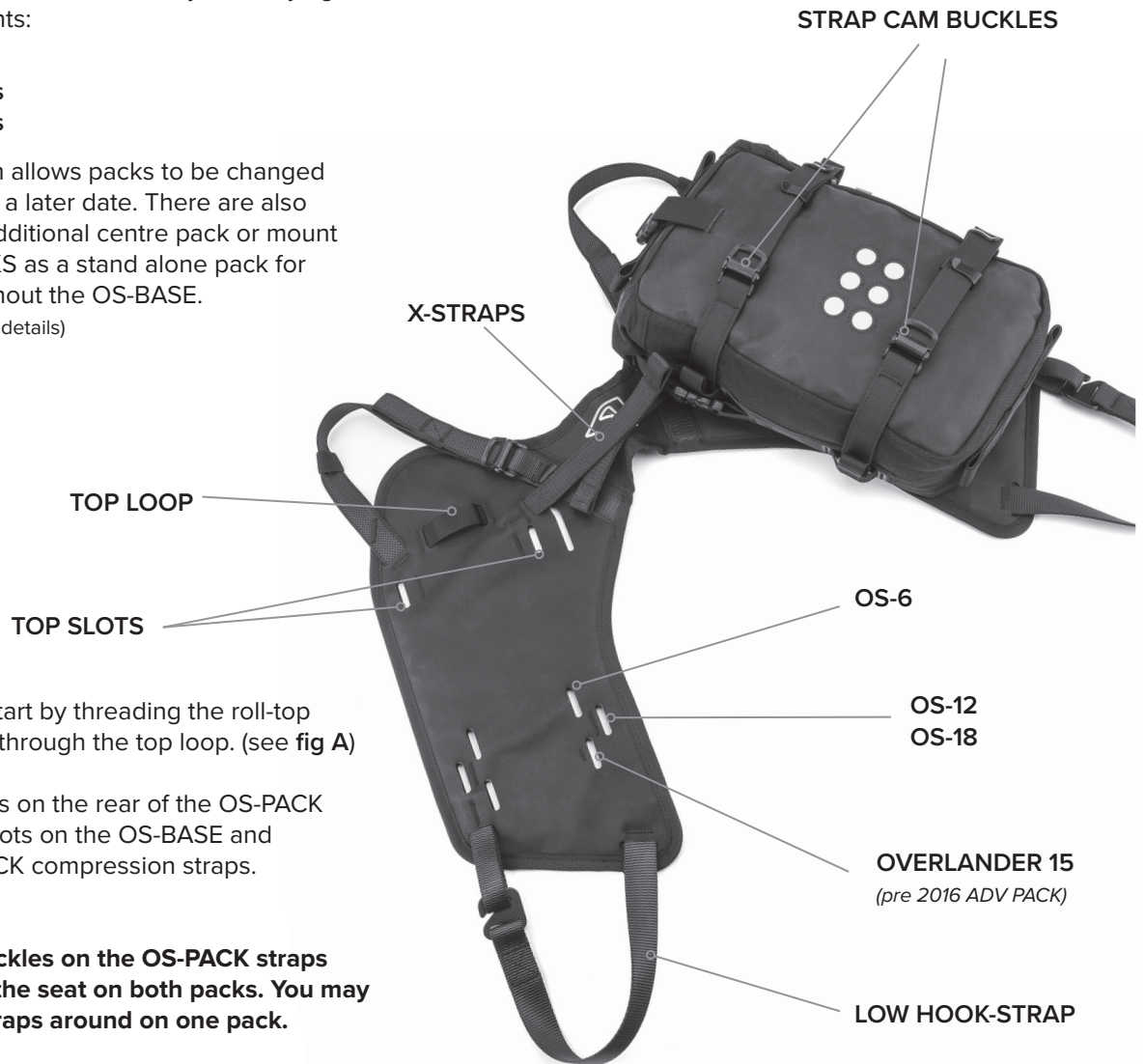
FIT A PAIR OF OS-ADVENTURE PACKS TO THE OS-BASE BEFORE INSTALLING THE COMPLETE SET-UP ON THE BIKE.

Choose a pair of OS-PACKS to meet your carrying capacity requirements:

- 2 x OS-6 = 12 litres
- 2 x OS-12 = 24 litres
- 2 x OS-18 = 36 litres

The modular system allows packs to be changed to a different size at a later date. There are also options to add an additional centre pack or mount one of the OS-PACKS as a stand alone pack for single day rides without the OS-BASE.

(see back page for more details)



To fit an OS-PACK start by threading the roll-top quick release strap through the top loop. (see fig A)

Push the top 2 loops on the rear of the OS-PACK through the top 2 slots on the OS-BASE and hook-on the OS-PACK compression straps. (see fig B)

NOTE: The cam buckles on the OS-PACK straps should be nearest the seat on both packs. You may need to turn the straps around on one pack.

Push the bottom 2 loops on the rear of the OS-PACK through the corresponding 2 slots on the OS-BASE depending which size pack and hook-on the OS-PACK compression straps.

Then repeat on the other side. Once the OS-PACKS are connected, you have your SET-UP ready to fit onto the bike.

fig A



fig B



MOUNTING OS-BASE SET-UP ON THE BIKE



1 Lay the OS-BASE over the motorcycle seat, forward from the final fitting position. Pass the LOW HOOK-STRAP around the main frame and back through the pillion footrest mount as illustrated. Attach the hook to the web loop so the hook is pointing down, then repeat on the other side.



2 Set the top straps to the longest length and slide the elastic loop near to the buckle. Slide over the DESERT-X alloy mounts on both sides.



3 Standing at the rear of the bike hold both loose strap ends and pull until the OS-BASE is firmly mounted on the seat. A strong tap downwards on each OS-PACK will help the OS-BASE slide further onto the seat.



4 Once the OS-BASE is tight on the seat, fold over the loose strap ends and place them in the elastic loops.

For heavy loads or extreme off-road riding we recommend you re-hook the top strap from each OS-PACK onto the X-STRAP from the opposite side, this provides extra pack stability.

MOUNTING A CENTRE PACK

A unique feature of the OS-BASE system is that it allows you to mount one of your OS-PACKS as a single tail pack for shorter trips when the twin pack system is not required.

The FRAME-LOOPS included provide 4 hook-on points for a single OS-PACK, US-DRYPACK or ROLLPACK. Plus, used in conjunction with the additional loops on the OS-BASE they provide various mounting locations for a 3 or more bag set-up.



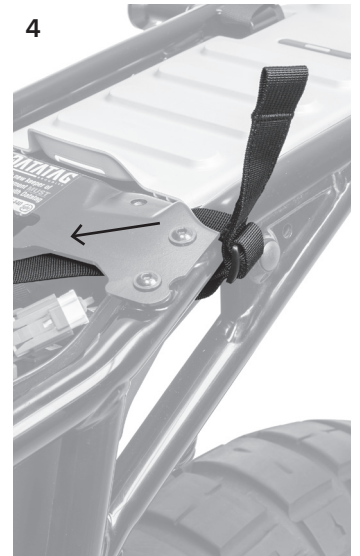
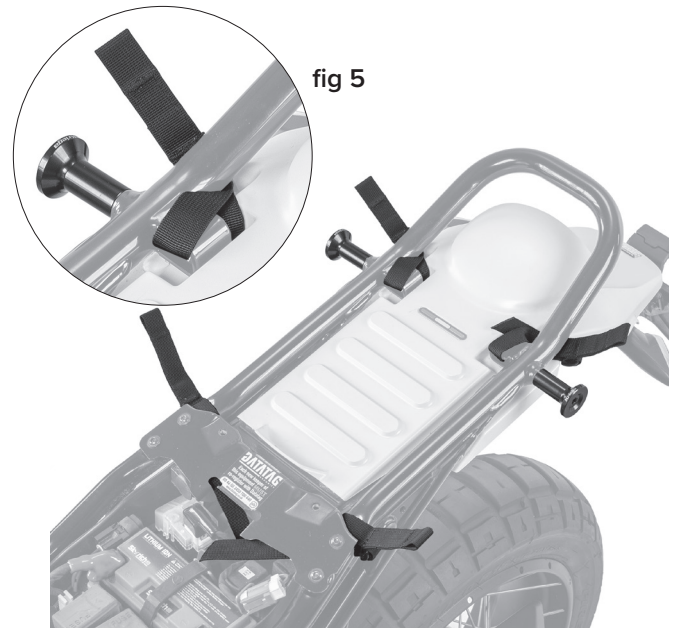
FITTING THE SUB-FRAME LOOPS

1. Remove the seats and thread one of the 100mm straps around the front of the sub-frame and back through the buckle.
2. Pull tight to the frame and thread the strap back through the buckle.
3. Secure the strap by locking it off back through the buckle.
4. Any excess strap should be hidden by pushing it through into the battery area.

Repeat on the other side with a 100mm sub-frame loop.

Its the same process for the rear 70mm Subframe loops but threaded around the seat mounts not the frame (see fig 5). Now you can replace the seats.

Sub-Frame Loops can remain on the bike when not in use, simply fold the straps under the seats.



Kriega®

*It is the owner's responsibility to ensure the OS-BASE is attached in such a way that it does not damage or put at risk the owner or the property of the owner.
Do not exceed the UK legal speed limit.
This product has only been tested for up to UK road legal speeds.*

KRIEGA.COM

KOSBA-I-FIT-1

BODYWORK DAMAGE DISCLAIMER

Even though most of the OS-BASE mounts on the seat, the sides can rub against the plastic side panels of the bike, resulting in minor abrasion. This can be further exaggerated if mud and dust get in between the OS-BASE and the plastics. **We strongly recommend applying a clear adhesive protective sheet to areas where abrasion may occur on your motorcycle.**